

SPECIFICATION

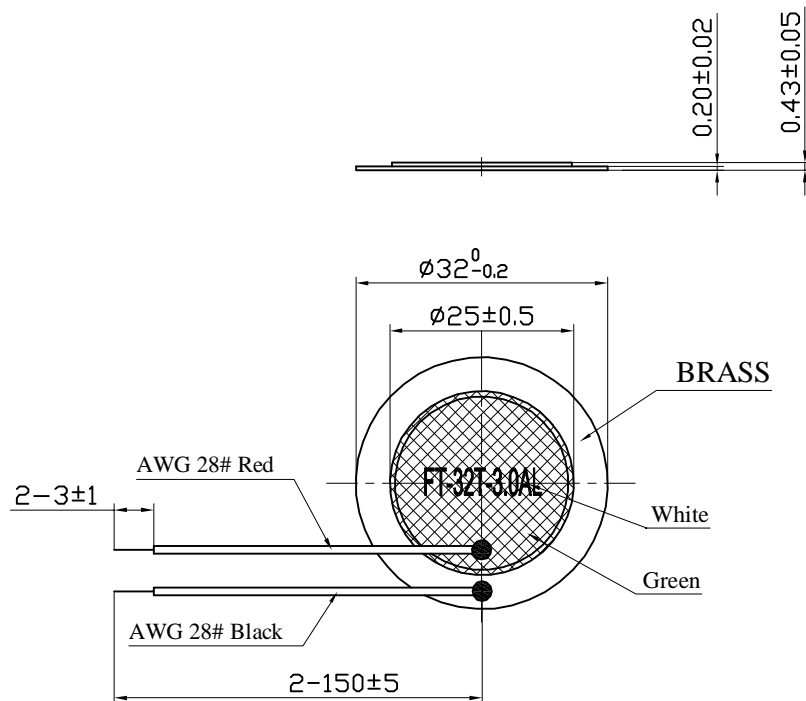
1. SCOPE

This specification is applied to the piezo-element.

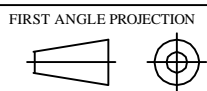
2. SPECIFICATION

(at 25°C)

2.1 Resonant Frequency	:	3.0 ± 0.5 KHz
2.2 Resonant Resistace	:	500 Ω max
2.3 Capacitance	:	38000 pF ± 30% at 100Hz
2.4 Input Voltage	:	30 Vp-p max
2.5 Operating Temperature	:	-20~+50°C
2.6 Storage Temperature	:	-20~+70°C
3. DIMENSION	:	as per figure



TOLERANCES UNLESS NOTED OTHERWISE .X ± .XX ± .XXX ± 90° FORMED +2° ANGLES -1°	DRAWN		KEPO MODEL NO.	CUSTOMER QUARTZ-1			
	DESIGN		FT-32T-3.0AL1-1623	CUSTOMER NO.			
	CHECKED			DWG NO.			
	APPROVED		OEM1623	VER	1.0	SCALE	
	DATE	05.06.07		UNIT	mm	SHEET	
	CONTRACT NO.		KEPO CO.,LTD.		TEL:(+86)574-88370330		
AGENCY APPROVAL		FAX:(+86)574-88370329					



1

2

3

4